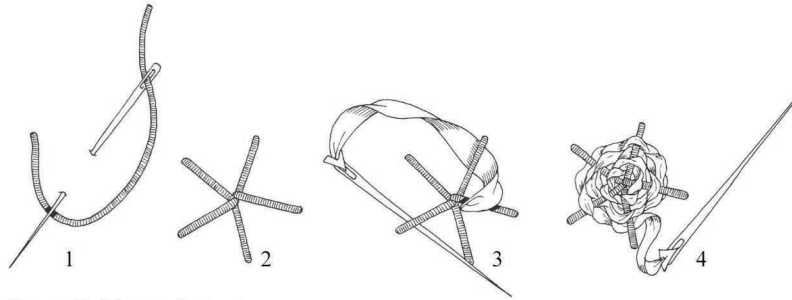
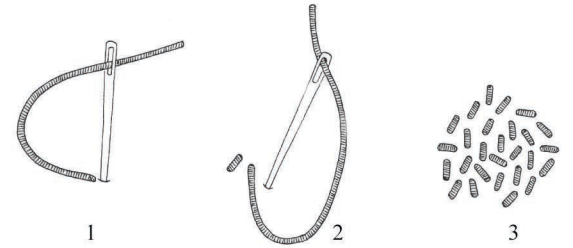


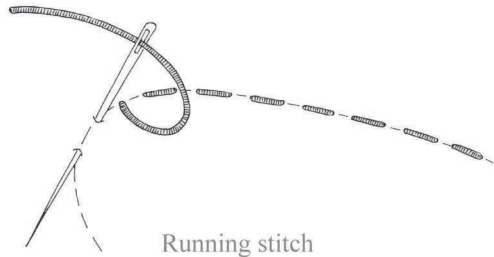
Ribbon Stitch - Twisted



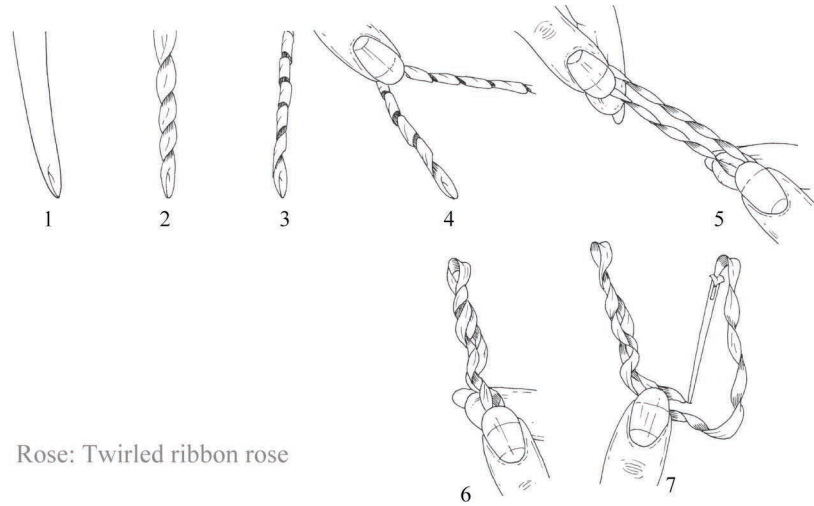
Rose: Spider-web rose



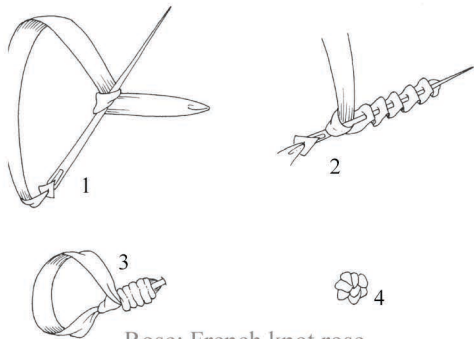
Seeding



Running stitch



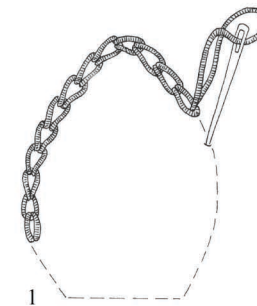
Rose: Twirled ribbon rose



Rose: French knot rose



Split stitch



Satin stitch - Padded

